

- PRODUCT SHEET

IAQPro Indoor Air Monitor

Now, more than ever, measuring and validating indoor air quality (IAQ) is vital to the safety of tenants and occupants – and to ensuring stable occupancy rates for building managers and owners.

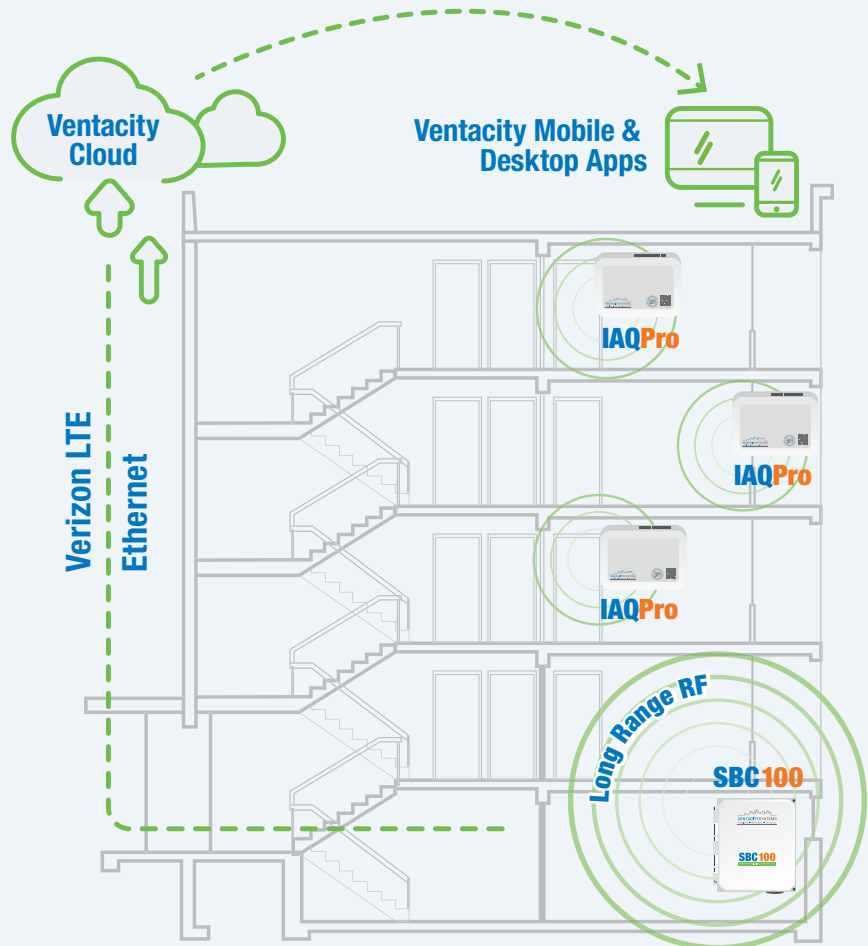
While HVAC systems have always been a key contributor to the health of a building's environment, Covid-19 has created an unprecedented situation for building managers who must give occupants and tenants confidence in indoor air quality, to facilitate a return to buildings.

From commercial office buildings to retail stores to restaurants to schools, building managers must be able to demonstrate indoor air quality (IAQ) diligence – it can be the difference between occupants who are confident in their ability to return to indoor environments, or who leave and raise the vacancy rate.



Our Solution

Ventacity IAQPro enables building managers to proactively monitor and measure air quality and demonstrate the health and safety of the indoor environment.



IAQPro

Indoor Air Monitor

Model #: IAQPRO100

Sensors Included

- Temperature
- Humidity (RH%)
- Carbon Dioxide (CO2)
- Volatile Organic Compounds (tVOC)
- Particulate Matter (PM2.5)

Key Features

- Real Time Dashboard
- Data Trending
- Alerts & Notifications
- Reports



Learn More

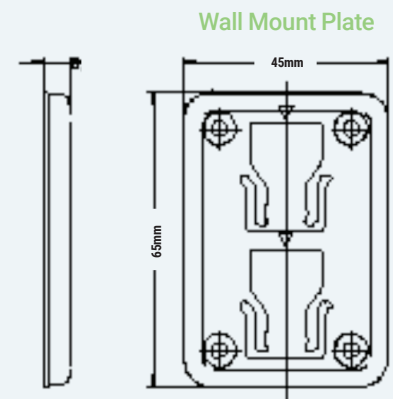
We are passionate about continuously developing solutions that make buildings healthier, more efficient, and smarter. With Ventacity, it isn't just about smarter buildings, it's about smarter business. To learn about how Ventacity delivers innovative and smart building technology that maximizes the value of your business, visit www.ventacity.com.

2828 S CORBETT AVE, #119
PORTLAND, OR 97201



Dimensions

Case		Wall Mount Plate	
Height	120mm	Height	65mm
Width	175mm	Width	45mm
Depth	37.5mm	Depth	6mm



Sensor Range & Accuracy

Temperature	32 to 120 °F, ± 0.4 °F, 0 to 49 °C ± 0.2 °C
Relative Humidity	0 to 100 %, ± 2% typical
Volatile Organic Compounds	0 to 20,000 ppb, ±10% <400, ±25% >400
CO2	400 to 5000 ppm, ± (50ppm + 3%)
Particulate Matter (PM2.5)	0 to 500 µg/m3, ± 10%
Optional: Ion Count	0 to 1M ions/cc

Specifications

Model #	IAQPRO100
Power Requirements	12VDC, 2.1mm barrel, center positive 24VAC pigtail, thermostat powered
Dimensions (HxWxD)	4.7 x 6.9 x 1.4 in, 120 x 175 x 35 mm
Weight	11.5 oz, 325 g
Power Consumption	1.2W
Communications	Long Range Wireless 902-928 MHz

1-(888)-VENTIL8
1-(888)-836-8458

Smart Buildings are Smarter Business